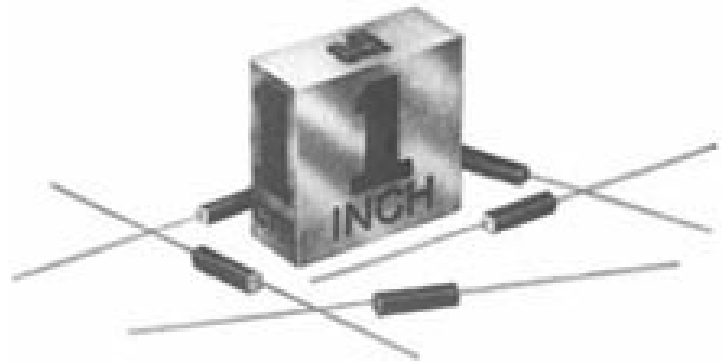




QR 12

FAST RECOVERY, 100ns.HIGH VOLTAGE
MINIATURE RECTIFIERS

- SMALL SIZE MOLDED PACKAGE
- 12,000 VOLTS PRV
- AVALANCHE CHARACTERISTICS
- LOW LEAKAGE



Peak Reverse Voltage	12KV
Average Forward Current	6mA (SEE FIG 1)
Peak Surge Current (1/2CYCLE)	300mA
Maximum Forward Voltage Drop (@6mA)	45V
Maximum Reverse Current (@ 12KV)	1 μ A
Maximum Reverse Recovery	100nSEC (SEE FIG 2)
Operating Temperature Range	-55 °C to +100 °C
Storage Temperature Range	-55 °C to +125 °C

FIG.1

OUTPUT CURRENT vs AMBIENT TEMPERATURE

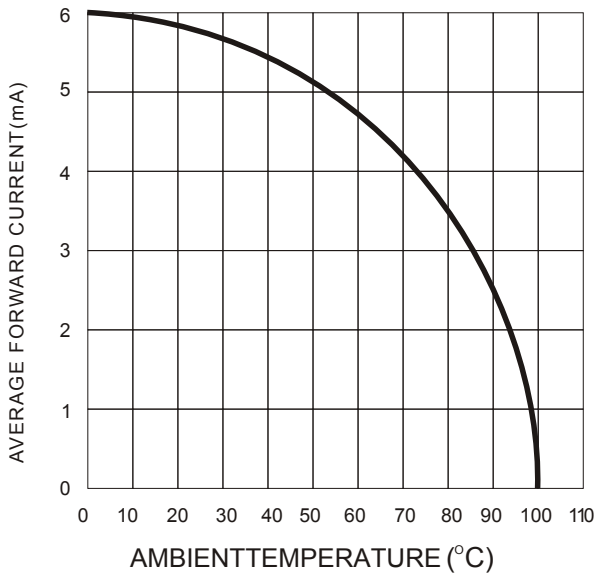


FIG.2

NON-REPETITIVE SURGE CURRENT

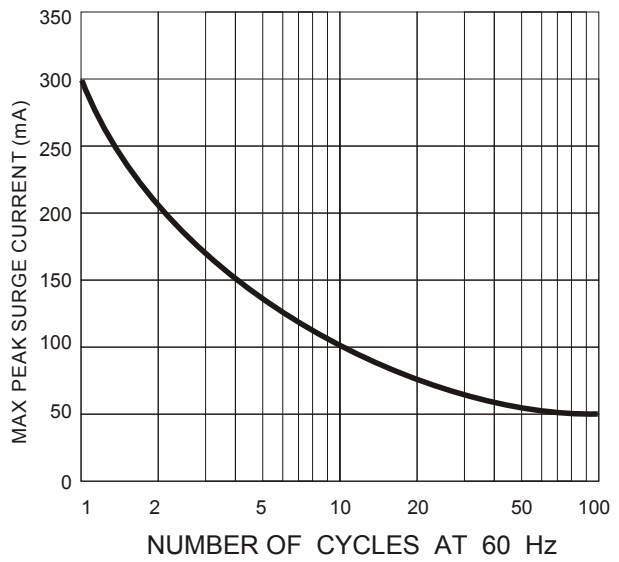


FIG.3

MECHANICAL DIMENSIONS

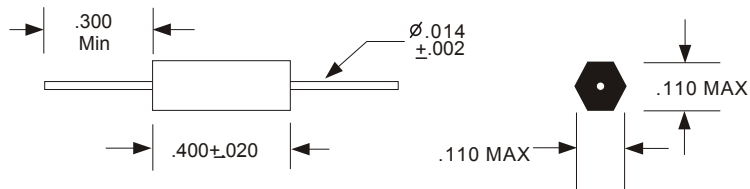
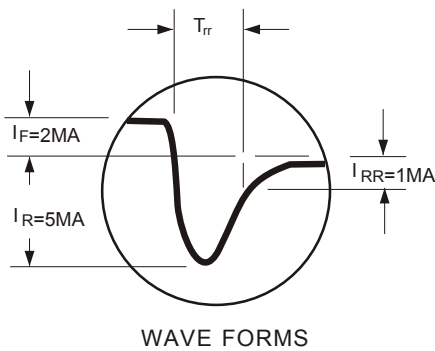


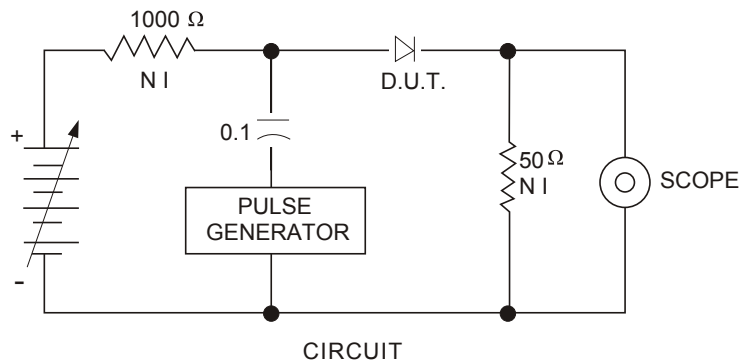
FIG.4

REVERSE RECOVERY TEST METHOD

RECOVERY WAVE FORM



RECOVERY WAVE FORM



ELECTRONIC DEVICES, INC. DESIGNERS AND MANUFACTURERS OF SOLID STATE DEVICES SINCE 1951.

21 GRAY OAKS AVENUE * YONKERS, NEW YORK 10710 914-965-4400 * FAX 914-965-5531 * 1-800-678-0828

e-mail:sales@edidiodes.com * website:http://www.edidiodes.com