

KILOVAC EV200P Series Latching Contactor With 1 Form X (SPST Latch) Contacts Rated 500+ Amps, 12-900 Vdc

Product Facts

- Latching version of popular EV200 Series
- Designed to be the smallest, lowest cost, lightest weight sealed contactor in the industry at its current rating
- Optional auxiliary contacts for monitoring position of power contacts
- Hermetically sealed — operates in explosive/harsh environments with no oxidation or contamination of coil or contacts during long periods of non-operation
- Not position sensitive, can be mounted in any orientation



Physical Data

Contact Arrangements — Main Contacts — SPST, Latching
Auxiliary Contacts 1 — Up to 2 Form A

Dimensions — See drawing

Weight, Nominal — .95 lb. (.43 kg)

Environmental Data

Shock, 11ms 1/2 Sine (Operating) — 30 G_{peak}

Sine Vibration, 20 G_{peak} — 55-2000 Hz

Random Vibration, 14.06 Grms — 15 Hz (.002 G²/Hz), 100 Hz (.002 G²/Hz), 450 Hz (.12 G²/Hz), 900 Hz (.12 G²/Hz), 2000 Hz (.083 G²/Hz)

Operating Temperature Range — -40°C to +85°C

Electrical Data

Voltage Rating — Main Contacts (Max) — 750 Vdc

Current Rating, Continuous — Main Contacts 2 — 500A

Contact Resistance — Main Contacts 3 — 0.2 mΩ max above 300A
0.3 mΩ max between 50 and 300A

Hot Switching Performance (Positive Polarity) 4 — 200A make/ break @ 270Vdc — 10,000 cycles
600A make/ break @ 360Vdc — 100 cycles
800A break only @ 360Vdc — 15 cycles
2000A break only @ 360Vdc — 1 cycle

Mechanical Life (Min) — 100,000 cycles

Dielectric Withstand Voltage — Terminal to Terminal/ Terminals to Coil — 1mA max @ 2,200 Vrms

Insulation Resistance — Terminal to Terminal/ Terminals to Coil — 100MΩ min @ 500Vdc new
50MΩ min @ 500Vdc end of life

Coil Data 5

Nominal Coil Voltage 6 — 12 Vdc

Pick Up/Latch (Max) @ 25°C — 9 Vdc

Hold (Min) — N/A

Reset (Max)/Dropout (Min) — 9 Vdc

Duty Cycle, Max 7 — 20%

Coil Resistance @ 25°C — 2.5 Ω

Operate Specs @ 25°C —

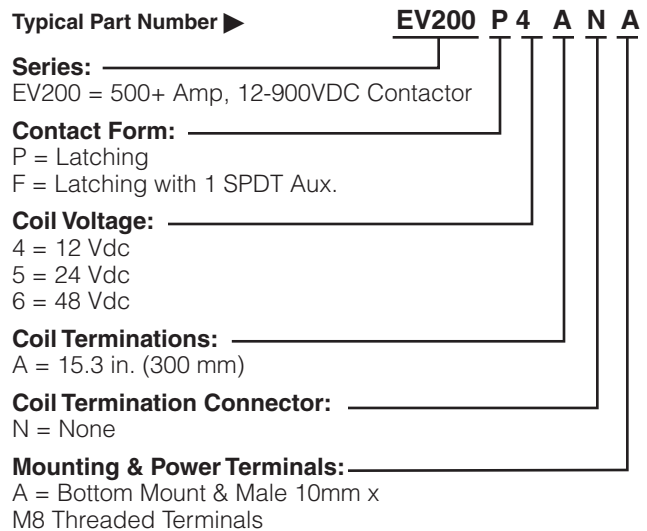
Operate Time (Typ) — 15 ms
Operate Bounce (Max) — 7 ms
Release Time (Max) — 15 ms

Notes:

- 1 Product can be configured alternately with form B or C auxiliary switches if required. This changes the product part number, depending on specific auxiliary configuration. Consult Tyco Electronics for availability and part number
- 2 Ambient conditions and conductor design affect rating. Terminal temperature rise should be 75°C max above ambient. Keep relay terminals below 150°C max continuous, 175°C max for two hours, and 200°C for 1 minute.
- 3 Stabilized reading. Contact resistance may exceed spec in the first 10 minutes of current carry.
- 4 Units are polarity sensitive. Approximately 50% de-rating for reverse polarity switching. Consult factory for review of specific requirements.
- 5 Over temperature range unless noted. Suggested coil pulse = 50-100 ms.
- 6 24V and 48V coils available on request — consult factory.
- 7 Intermittent Duty Coil. Coil overheating can occur if duty cycle is exceeded. Limit average coil power to 10W maximum.

Ordering Information

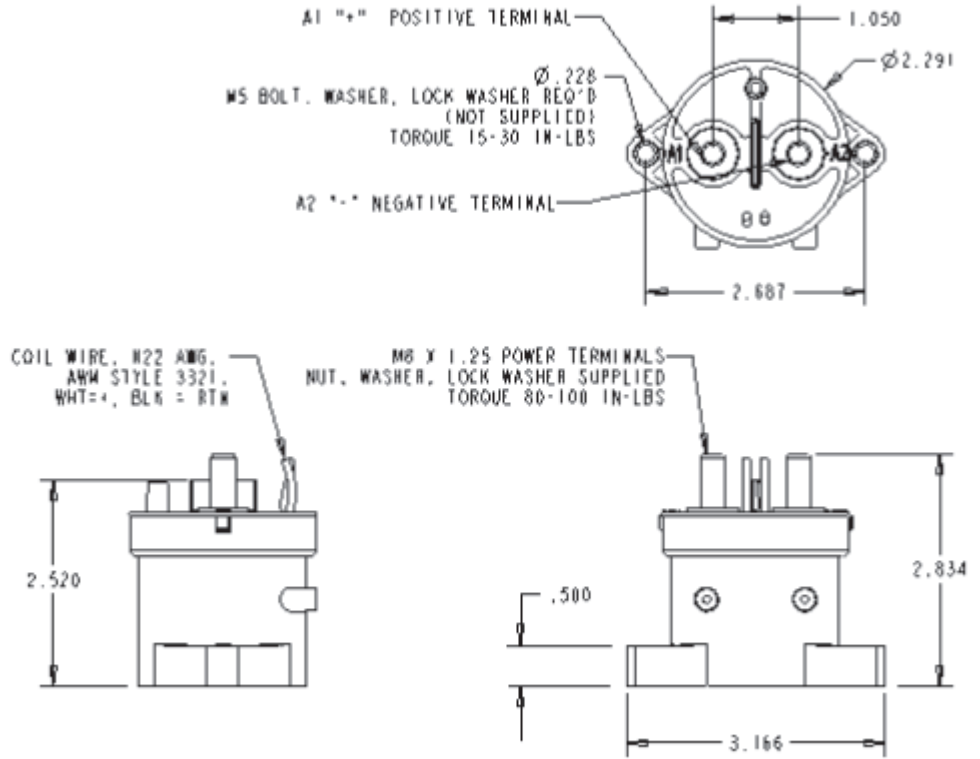
Typical Part Number ▶



For factory-direct application assistance, dial 800-253-4560, ext. 2055, or 805-220-2055.

KILOVAC EV200P Series Latching Contactor (Continued)

Outline Dimensions



For factory-direct application assistance,
dial 800-253-4560, ext. 2055, or
805-220-2055.