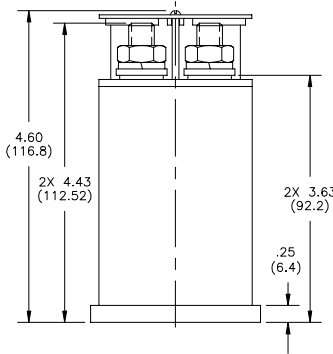
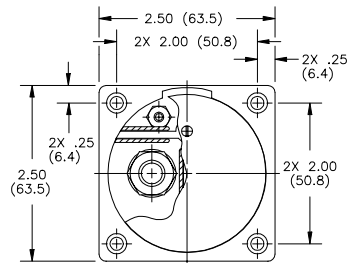
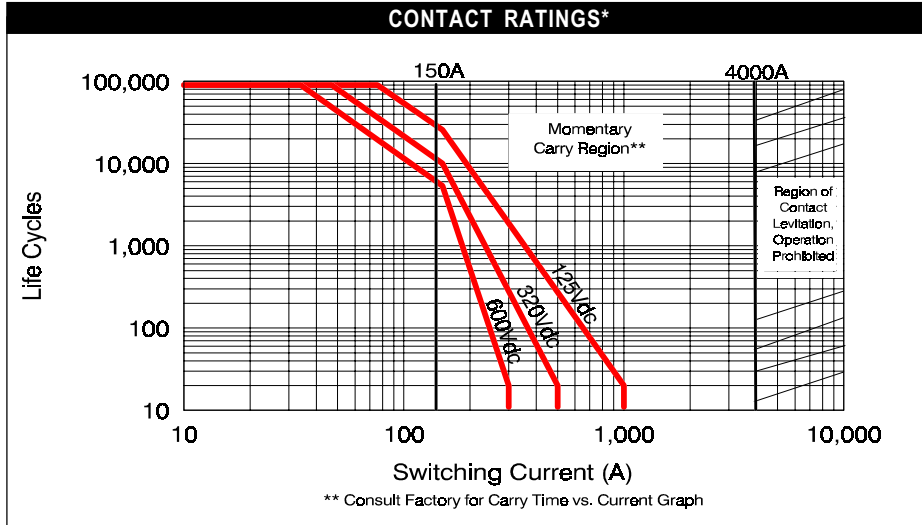


**Kilovac PD150X – 150 Amps ("Czonka") Make & Break Load Switching**



**Features:**

- Vacuum dielectric for power switching
- 150 A carry, 500 A overload @ 320 Vdc
- Ideal for circuit protection, control, and battery switching
- Versatile power, voltage, and current operating range
- Bi-directional switching
- Fast operate and release time
- Low power consumption
- Vacuum-sealed contacts; can operate in harsh environments
- Latching version available, contact Kilovac for more information
- Meets many requirements of SAE ARD50031
- Optimized for power switching



**Contact Rating Notes:**

1. Maximum continuous current carry = 150A @  $T_A = 85^\circ\text{C}$ .
2. Maximum interrupt power = 160kW @ 25μH, across voltage range -0 to 600 Vdc.

\* Ratings for load power make, carry, & break based on data extrapolated from 270Vdc and 540Vdc testing with resistive load. Since each application is unique, user is encouraged to verify rating in actual application.

PRODUCT SPECIFICATIONS		
Part Number	UNIT	PD150X
Contact Arrangement .....		SPST-NO
Contact Form .....		X
Rated Resistive Load @ 320 Vdc .....	A	150
Continuous Current Carry, Max., 85°C .....	A	150
Overload (make & break) @ 320 Vdc .....	A	500/400***
Load Life, @ 320 Vdc, Min. ....	cycles	10,000
Mechanical Life, Min. ....	cycles	100,000
Contact Resistance, Max. ....	ohms	0.001
Dielectric at Sea Level .....		
Power Terminals to Coil & all Other Points .....	Vrms	1800
Shock, 11ms 1/2 Sine (peak) .....	G's Peak	25
Vibration, Sinusoidal (55-2000 Hz, peak) .....	G's	5
Operating Ambient Temperature Range .....	°C	-40 to +85
Operate Time, including Bounce, Max., 25°C .....	ms	40
Release Time, Max. ....	ms	10
Bounce Time, Max. ....	ms	8
Insulation Resistance @ 500 Vdc, Min. ....		
Initial/End of Life .....	Mohm	100/50
Weight, Nominal .....	gram (oz)	770 (27)

\*\*\* 500A at beginning of life which is 0 to 5,000 cycles, 400A at end of life which is 5,000 to 10,000 cycles

COIL DATA				
Volts, Nominal	12	24	125	Unit
Maximum Coil	14	28	145	Vdc
Pickup, Max. @ 85°C	9.9	19.5	102	
Hold, Min. @ 85°C	4.3	8.7	45	
Dropout, Min. @ -40°C	.6	1.4	6.0	
Coil Resistance ( ±10%)	9.6	52	960	Ohms
Energy, Magnetic, Max.	.10	.10	.10	J

Coil resistance rated at 25°C

**PART NUMBER SELECTION**

Sample Part No. **PD150** **X** **B** **5** **7**

Contact Form \_\_\_\_\_  
X = SPST-NO Double Make

Coil Voltage \_\_\_\_\_  
A = 12 Vdc, Stud Terminals  
B = 24 Vdc, Stud Terminals  
C = 125 Vdc, Stud Terminals

Power Terminals \_\_\_\_\_  
5 = Stud Terminals

Mounting \_\_\_\_\_  
7 = Panel Mount