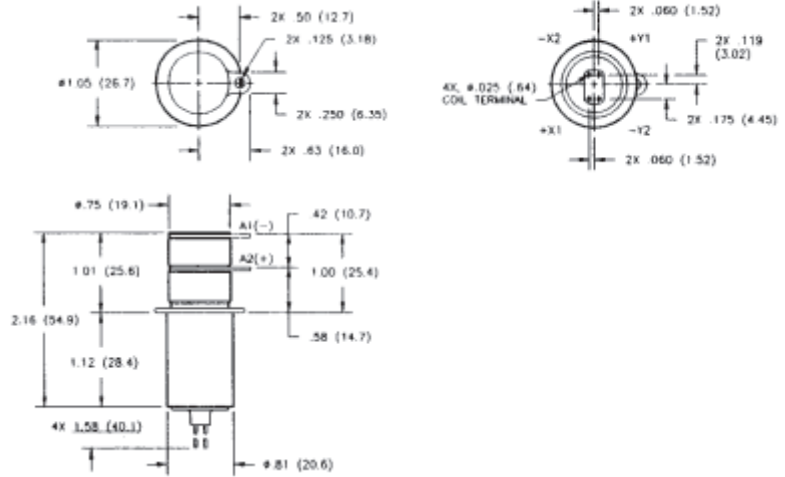


**AP44P — 15 Amps**

**Product Facts**

- 15 A make and break @ 270 Vdc
- 45 A carry
- 60 A overload rating
- Ideal for high voltage applications from 28 to 270 Vdc
- Latching actuator for low power consumption
- 2000 V isolation across open contacts
- Small size and weight
- Space-rated version built in accordance with customers SCD
- Meets many requirements of MIL-PRF-32085



**Product Specifications**

**Contact Arrangement** — SPST Latching  
**Contact Form** — P  
**Rated Resistive Load @ 270 Vdc** — 15 A\*  
**Continuous Current Carry, Max.** — 45 A  
**Overload @ 270 Vdc** — 60 A  
**Contact Resistance, Max.** — 10 mohm  
**Dielectric at Sea Level** — Coil to Case — 500 Vrms  
 All Other Points — 2,000 Vrms

**Shock, 11ms, 1/2 Sine (Peak)** — 50 g  
**Vibration, Sinusoidal (55-2000 Hz, Peak)** — 15 g\*\*  
**Operating Ambient Temperature Range** — -55°C to +85°C  
**Load Life @ 270 Vdc, Min.** — 5,000 cycles  
**Operate Time, Excluding Bounce, Max.** — 2 ms  
**Release Time, Max.** — N/A  
**Bounce Time, Max.** — 3 ms

**Latch/Reset Time, Including Bounce, Max.** — 5 ms  
**Insulation Resistance @ 500 Vdc, Min.** — Initial — 100 mohm  
 End of Life — 50 mohm  
**Weight, Nominal** — 43 gram (1.5 oz.)

**Notes:**

\*The load terminals should always be connected as follows: Common Contact +; Other Contact -.

**Coil Data**

AP44P	28 Latching
Latch, Max.	22 Vdc
Reset, Max.	22 Vdc
Coil Resistance (±10%)	80 Ω

Coil resistance rated at 25°C

**Ordering Information**

**Sample Part Number** ▶ **AP44 P 3 3 4**

**Series:** \_\_\_\_\_

**Contact Form:** \_\_\_\_\_  
 P = SPST Latching

**Coil Voltage:** \_\_\_\_\_  
 3 = 28 Vdc, Bus Wire

**Power Terminals:** \_\_\_\_\_  
 3 = Solder Connection

**Mounting:** \_\_\_\_\_  
 4 = Standard

For factory-direct application assistance, dial 800-253-4560, ext. 2055, or 805-220-2055.