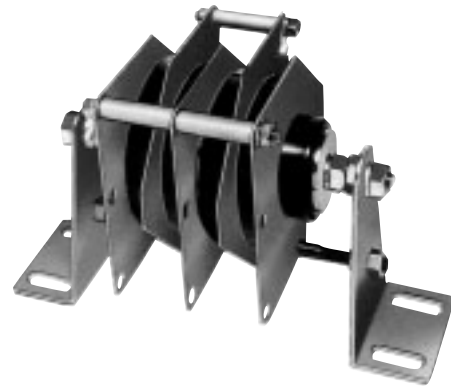


### “ZNR” Transient/Surge Absorbers

Type: **J**



ZNR Transient/Surge Absorbers, Type J, are designed especially for surge protection of industrial equipment from high energy transient voltages which are generated by switching of the inductive loads such as DC magnet relays or transformers.

#### ■ Features

- Low clamping voltage
- Fast response to steep impulse voltage
- A bilateral and symmetrical V-I characteristic curve
- Higher energy handling capability (5000 to 44000 J)
- No follow-on current
- Wide product range  
[Varistor Voltage] 500 V to 1300 V

RoHS compliant

#### ■ Minimum Quantity / Packing Unit

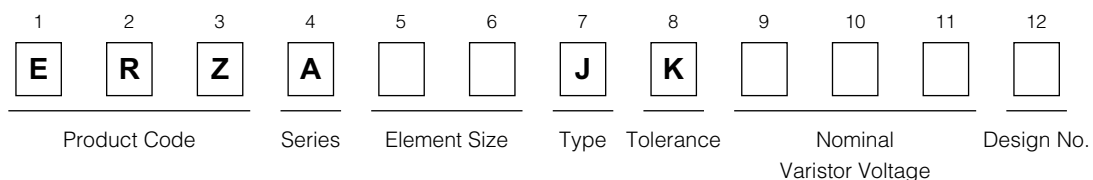
Please see Page 360

#### ■ Recommended Applications

- Suppression of volume surges such as those produced by switching of DC lifting magnets and within equipment in railroad vehicles
- Protection of a current transformer from overheating caused with secondary opening
- Protection of thyristors or diodes employed in power supply equipment

Note: Ask our factory for Product Specification before use.

#### ■ Explanation of Part Numbers



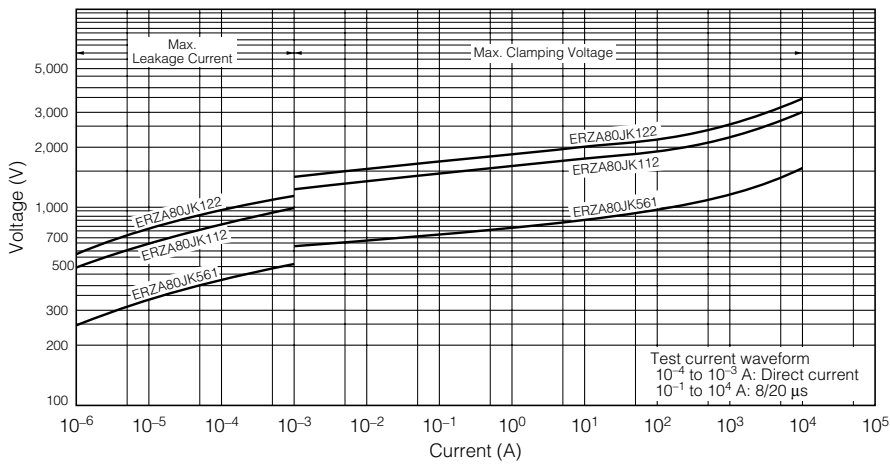
### ■ Ratings and Characteristics

- Operating Temperature Range: -25 to 70 °C
- Storage Temperature Range: -25 to 110 °C

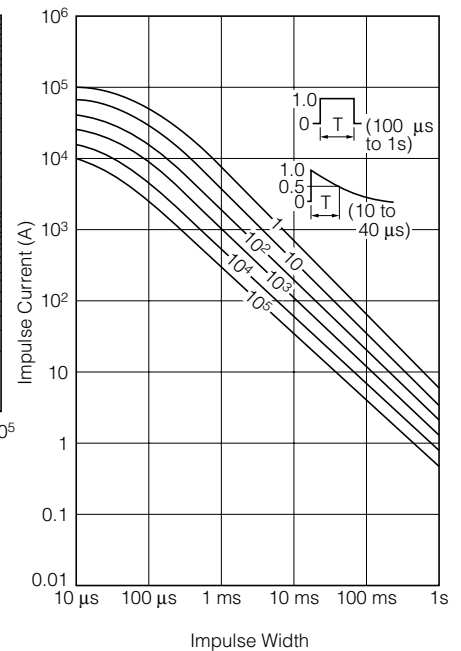
Part No.	Varistor Voltage	Maximum Allowable Voltage		Maximum Clamping Voltage	Energy (Derated sinusoidal wave, 1 time)	Maximum Peak Current (4/10 $\mu$ s, 2 times)	Typical Capacitance (Reference)
	V <sub>1 mA</sub> (V)	ACrms (V)	DC (V)	V <sub>100 A</sub> (V)	(J)	(kA)	@ 1 kHz (pF)
ERZA80JK561	560 (505 to 615)	250	350	925	5000	80	9800
ERZA80JK561A					10000	80 × 2	19600
ERZA80JK561B					15000	80 × 3	29400
ERZA80JK561C					20000	80 × 4	39200
ERZA80JK112	1100 (980 to 1200)	485	680	1800	10000	80	4800
ERZA80JK112A					20000	80 × 2	9600
ERZA80JK112B					30000	80 × 3	14400
ERZA80JK112C					40000	80 × 4	19200
ERZA80JK122	1250 (1120 to 1380)	550	775	2070	11000	80	4400
ERZA80JK122A					22000	80 × 2	8800
ERZA80JK122B					33000	80 × 3	13200
ERZA80JK122C					44000	80 × 4	17600

### ■ Typical Characteristics

#### Voltage vs. Current

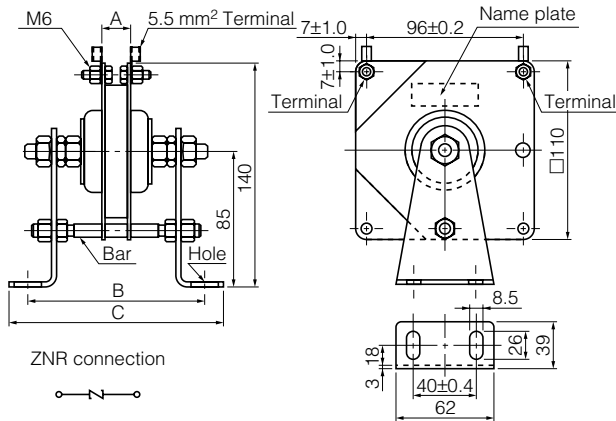


#### Impulse Derating

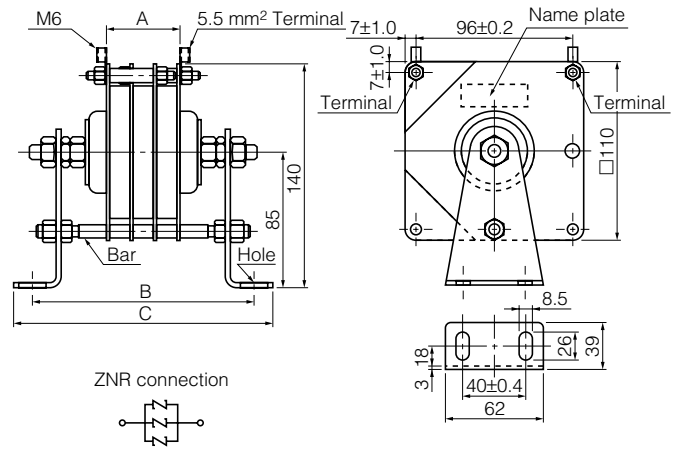


■ Dimensions in mm (not to scale)

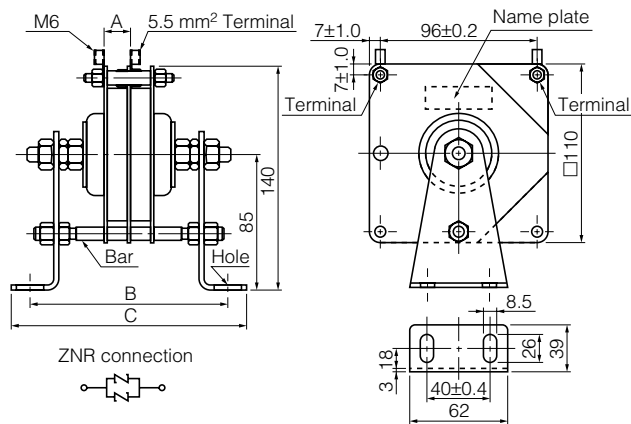
### ERZA80JK□□□



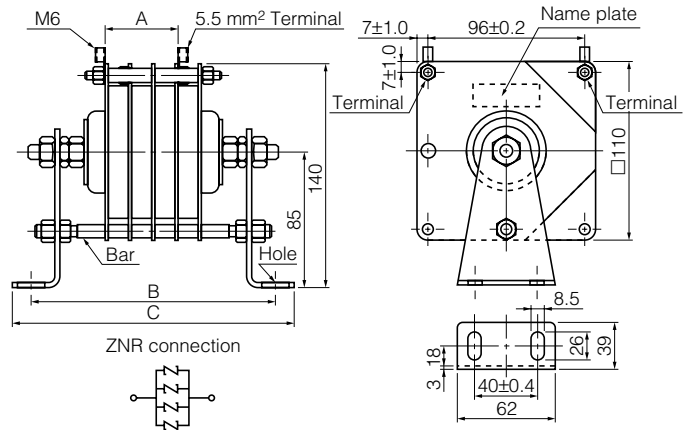
### ERZA80JK□□□B



### ERZA80JK□□□A



### ERZA80JK□□□C



Part No.	A	B	C
ERZA80JK561	14.0	125.0±4.0	161.0±4.0
ERZA80JK561A	14.0	138.0±8.0	174.0±8.0
ERZA80JK561B	40.0	151.0±8.0	187.0±8.0
ERZA80JK561C	40.0	164.0±8.0	200.0±8.0
ERZA80JK112	19.0	130.0±4.0	166.0±4.0
ERZA80JK112A	19.0	148.0±8.0	184.0±8.0
ERZA80JK112B	56.0	167.0±8.0	203.0±8.0
ERZA80JK112C	56.0	185.0±8.0	221.0±8.0
ERZA80JK122	21.0	132.0±4.0	168.0±4.0
ERZA80JK122A	21.0	152.0±8.0	188.0±8.0
ERZA80JK122B	61.0	172.0±8.0	208.0±8.0
ERZA80JK122C	61.0	192.0±8.0	228.0±8.0