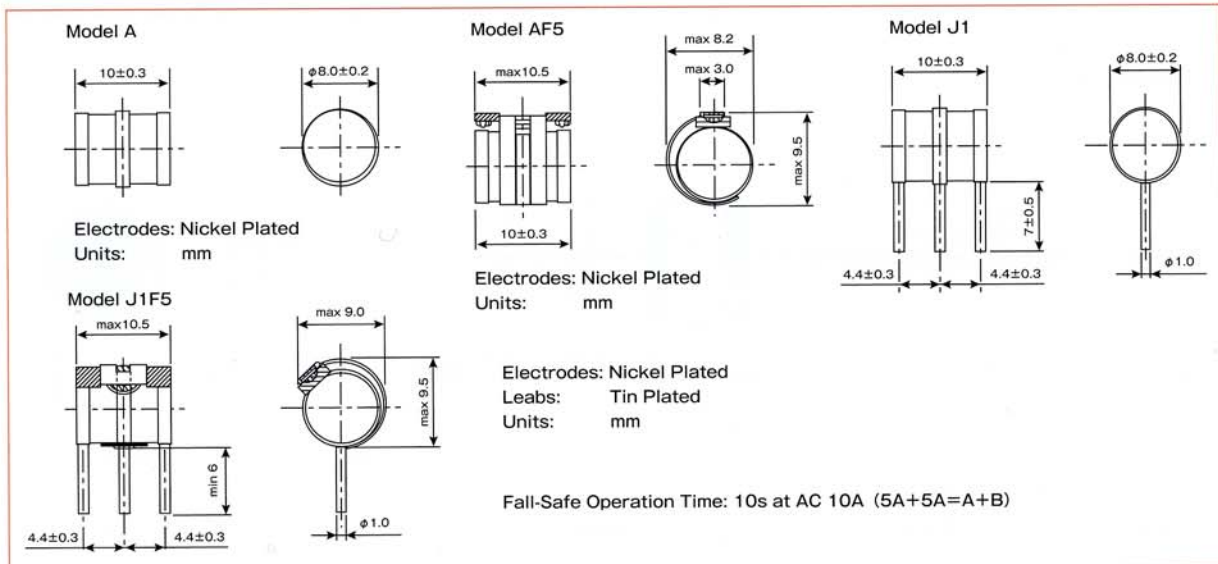
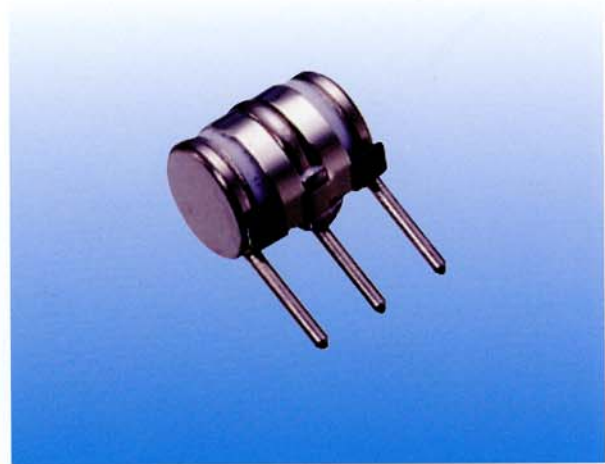


3H Series

Part Number	UL Approved P/N See Note3	Model A	3H-90A	3H-150A	3H-230A	3H-250A	3H-350A	3H-420A	3H-500A
		Model AF5	3H-90AF5	3H-150AF5	3H-230AF5	3H-250AF5	3H-350AF5	3H-420AF5	3H-500AF5
		Model J1	3H-90J1	3H-150J1	3H-230J1	3H-250J1	3H-350J1	3H-420J1	3H-500J1
		Model J1E5	3H-90J1E5	3H-150J1E5	3H-230J1E5	3H-250J1E5	3H-350J1E5	3H-420J1E5	3H-500J1E5
DC Sparkover Voltage(A-E)(B-E)	100V/s	90V±20%	150V±15%	230V±20%	250V±20%	350V±15%	420V±20%	500V±15%	
Impulse Sparkover Voltage (A-E)(B-E)	100V/μs	≤450V	≤500V	≤600V	≤600V	≤900V	≤900V	≤1100V	
	1kV/μs	≤500V	≤600V	≤700V	≤700V	≤1000V	≤1000V	≤1200V	
Insulation Resistance	100V	≥10,000MΩ	≥10,000MΩ	≥10,000MΩ	≥10,000MΩ	≥10,000MΩ	≥10,000MΩ	≥10,000MΩ	
Capacitance	1MHz	≤3pF	≤3pF	≤3pF	≤3pF	≤3pF	≤3pF	≤3pF	
DC Holdover Voltage	Per ITC K.12	≤52V	≤52V	≤135V	≤135V	≤135V	≤135V	≤135V	
Impulse Life(A+B-E)	10/1000μs, 200A	300times	300times	300times	300times	300times	300times	300times	
Impulse Discharge Current, 8/20μs(A+B-E)	Repeat 10 times (5 times each polarity)	10kA	10kA	10kA	10kA	10kA	10kA	10kA	
AC Discharge Current, 50Hz (A+B-E)	Repeat 10 times (1 second)	10A	10A	10A	10A	10A	10A	10A	



Note:

1. Insulation Resistance shall be measured with the following voltages for each nominal DC Sparkover Voltage.

Nominal DC Sparkover Voltage	Measuring Voltage
75 - 145V	DC 50V
230 - 400V	DC 100V
470 - 800V	DC 250V

2. DC Holdover Voltage shall be measured in accordance with the ITC-T K.12, Test Circuit or the IEEE C62.31-1987 Test Circuit.

3. Recognized under UL497B, File Number E140906.