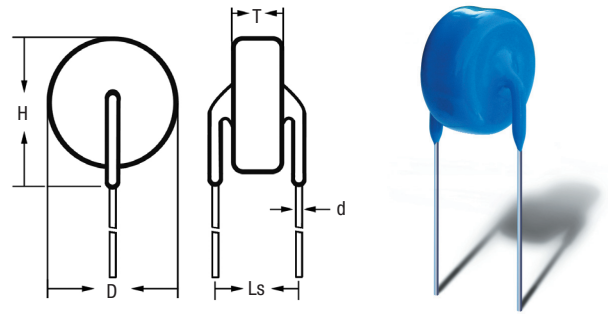


# High Voltage Ceramic Capacitors 10 to 20kVDC Axial Egress Leads

HVCA's high voltage ceramic capacitors are epoxy encapsulated and designed to meet the demanding requirements of high voltage applications. They are appropriate for applications requiring a low dissipation factor, small voltage coefficient and good temperature stability.



**FEATURES**

- Compact design with low dissipation factor
- Low voltage coefficient
- Epoxy encapsulated, axial egress lead design for long creepage distances
- Up to 20kv rated voltage

**APPLICATIONS**

- HV power supplies
- Electrostatic coating and spray equipment
- Arc spray and sputtering applications
- Electrostatic cleaning power supplies
- Ion generator power sources.

**Y5P**

Cap(pf)	10kV	D	T	H	Ls	d
220	NY3Y5P201M10KV	8	6	12	15	0.7
470	NY3Y5P471M10KV	10	6	14	15	0.7
560	NY3Y5P561M10KV	11	6	15	15	0.7
680	NY3Y5P681M10KV	13	6	17	15	0.7
1000	NY3Y5P102M10KV	15	6	19	15	0.7
1500	NY3Y5P152M10KV	18	6	22	15	0.7
2500	NY3Y5P252M10KV	23	6	27	15	0.7

Cap(pf)	12kV	D	T	H	Ls	d
220	NY3Y5P201M12KV	8	7	12	15	0.7
470	NY3Y5P471M12KV	10	7	14	15	0.7
560	NY3Y5P561M12KV	11	7	15	15	0.7
680	NY3Y5P681M12KV	13	7	17	15	0.7
1000	NY3Y5P102M12KV	15	7	19	15	0.7
1500	NY3Y5P152M12KV	18	7	22	15	0.7
2500	NY3Y5P252M12KV	23	7	27	15	0.7

Cap(pf)	15kV	D	T	H	Ls	d
220	NY3Y5P201M15KV	8	8	12	16	0.7
470	NY3Y5P471M15KV	11	8	15	16	0.7
560	NY3Y5P561M15KV	12	8	16	16	0.7
680	NY3Y5P681M15KV	14	8	18	16	0.7
1000	NY3Y5P102M15KV	16	8	20	16	0.7
1500	NY3Y5P152M15KV	18	8	22	16	0.7
2500	NY3Y5P252M15KV	23	8	27	16	0.7

Cap(pf)	18kV	D	T	H	Ls	d
220	NY3Y5P221M18KV	9	9	13	17	0.7
470	NY3Y5P471M18KV	12	9	16	17	0.7
560	NY3Y5P561M18KV	13	9	17	17	0.7
680	NY3Y5P681M18KV	15	9	19	17	0.7
1000	NY3Y5P102M18KV	18	9	22	17	0.7
1500	NY3Y5P152M18KV	21	9	25	17	0.7

Cap(pf)	20kV	D	T	H	Ls	d
220	NY3Y5P561M20KV	9	9	13	17	0.7
470	NY3Y5P561M20KV	12	9	16	17	0.7
560	NY3Y5P561M20KV	13	9	17	17	0.7
680	NY3Y5P561M20KV	15	9	19	17	0.7
1000	NY3Y5P561M20KV	18	9	22	17	0.7
1500	NY3Y5P561M20KV	21	9	25	17	0.7

**Y5U**

Cap(pf)	10kV	D	T	H	Ls	d
560	NY3Y5U561M10KV	8	6	12	15	0.7
680	NY3Y5U681M10KV	8	6	12	15	0.7
1000	NY3Y5U102M10KV	10	6	14	15	0.7
1200	NY3Y5U122M10KV	10	6	14	15	0.7
1800	NY3Y5U182M10KV	13	6	17	15	0.7
2200	NY3Y5U222M10KV	14	6	18	15	0.7
3300	NY3Y5U332M10KV	16	6	20	15	0.7
4700	NY3Y5U472M10KV	18	6	22	15	0.7
5600	NY3Y5U562M10KV	21	6	25	15	0.7
6800	NY3Y5U682M10KV	23	6	27	15	0.7

Cap(pf)	12kV	D	T	H	Ls	d
560	NY3Y5U561M12KV	8	6	12	15	0.7
680	NY3Y5U681M12KV	8	6	12	15	0.7
1000	NY3Y5U102M12KV	10	6	14	15	0.7
1200	NY3Y5U122M12KV	10	6	14	15	0.7
1800	NY3Y5U182M12KV	13	6	17	15	0.7
2200	NY3Y5U222M12KV	14	6	18	15	0.7
3300	NY3Y5U332M12KV	16	6	20	15	0.7
4700	NY3Y5U472M12KV	18	6	22	15	0.7
5600	NY3Y5U562M12KV	21	6	25	15	0.7
6800	NY3Y5U682M12KV	23	6	27	15	0.7

Cap(pf)	15kV	D	T	H	Ls	d
560	NY3Y5U561M15KV	8	7	12	15	0.7
680	NY3Y5U681M15KV	9	7	13	15	0.7
1000	NY3Y5U102M15KV	11	7	15	15	0.7
1200	NY3Y5U122M15KV	11	7	15	15	0.7
1800	NY3Y5U182M15KV	14	7	18	15	0.7
2200	NY3Y5U222M15KV	15	7	19	15	0.7
3300	NY3Y5U332M15KV	18	7	22	15	0.7
4700	NY3Y5U472M15KV	21	7	25	15	0.7
5600	NY3Y5U562M15KV	23	7	27	15	0.7

Cap(pf)	18kV	D	T	H	Ls	d
560	NY3Y5U561M18KV	9	8	13	16	0.7
680	NY3Y5U681M18KV	10	8	14	16	0.7
1000	NY3Y5U102M18KV	11	8	15	16	0.7
1200	NY3Y5U122M18KV	12	8	16	16	0.7
1800	NY3Y5U182M18KV	15	8	19	16	0.7
2200	NY3Y5U222M18KV	16	8	20	16	0.7
3300	NY3Y5U332M18KV	21	8	25	16	0.7
4700	NY3Y5U472M18KV	23	8	27	16	0.7

Cap(pf)	20kV	D	T	H	Ls	d
560	NY3Y5U561M20KV	9	8	13	16	0.7
680	NY3Y5U681M20KV	10	8	14	16	0.7
1000	NY3Y5U102M20KV	11	8	15	16	0.7
1200	NY3Y5U122M20KV	12	8	16	16	0.7
1800	NY3Y5U182M20KV	15	8	19	16	0.7
2200	NY3Y5U222M20KV	16	8	20	16	0.7
3300	NY3Y5U332M20KV	21	8	25	16	0.7
4700	NY3Y5U472M20KV	23	8	27	16	0.7



**HV Component Associates**  
Farmingdale, NJ 07727  
(732) 938-4499  
[www.hvca.com](http://www.hvca.com)

HVCA and CKE are subsidiaries  
of Dean Technology



**CKE**  
Lucernemines, PA 15754  
(724) 479-3533  
[www.cke.com](http://www.cke.com)

