

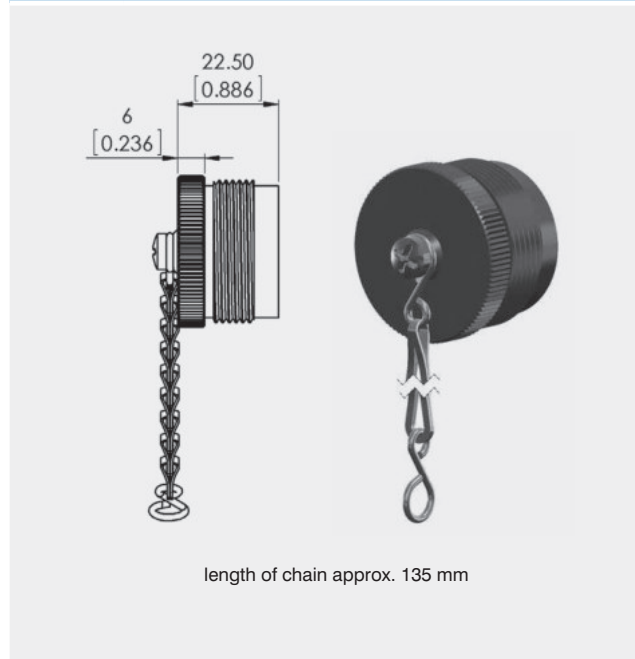
Contacts

P/N	Description	Drawing
6572001	male contact 2.5 mm silver plated (Ag)	
6572005	female contact 2.5 mm silver plated (Ag)	
6672050	male contact 5 mm silver plated (Ag)	
6572007	female contact 5 mm silver plated (Ag)	

Covering

P/N	Description
6671011	Threaded covering with chain for receptacles Series 100

Drawing



drawing - dimensions in mm [inch]

	Part No. 3330039	Part No. 3330049	Part No. 3330050
Operating voltage DC	60 kVDC	100 kVDC	100 kVDC
Operating voltage AC rms	20 kVAC	30 kVAC	
Conductor size			
AWG	AWG 18	AWG 16	AWG 16
Strands	19 x AWG 30	19 x AWG 29	19 x AWG 29
Cross section	0.97 mm ²	1.2 mm ²	1.2 mm ²
Diameter	1.24 mm [.049"]	1.25 mm [.049"]	1.25 mm [.049"]
Semicon	YES	YES	YES
Diameter	2.0 mm [.079"]	2.5 mm [.098"]	2.5 mm [.098"]
Material	Semiconductive PE	Semiconductive PE	Semiconductive PE
Dielectric			
Diameter	5.8 mm [.228"] (± 0.25 mm)	9.4 mm [.370"] (± 0.25 mm)	9.4 mm [.370"] (± 0.25 mm)
Material	LDHMMW PE	LDHMMW PE	LDHMMW PE
Screen (Shield)	YES	NO	YES
Diameter	6.9 mm [.272"]	x	9.8 mm [.386"]
Material	Cu/Sn (AWG 34 t.p.c.) 85% coverage	x	Cu/Sn (AWG 34 t.p.c.) 90% coverage
Jacket			
Diameter	7.7 mm [.303"] (± 0.3 mm)	x	11.2 mm [.441"] (± 0.25 mm)
Material	TPE-U	x	PVC
Impedance	x	x	61 Ω
Capacitance	typ. 121pF/m	x	98 pF/m
Min. bend radius	90 mm [3.543"] (fixed)	127 mm [5"] (fixed)	152 mm [5.984"] (fixed)
Temperature range	-40°C to +60°C	-51°C to +60°C	-51°C to +60°C
Weight	0.077 kg/m	0.075 kg/m	0.149 kg/m
Color	red	transparent	black
Fits connector types	SB110 SB115 SB120 SB125 SB125Pro SB130 SB135 SB150 SB155 SB160 SB165	SB110 SB115 SB120 SB125 SB125Pro SB130 SB135 SB150 SB155 SB160 SB165 SB1100 SB1105	SB110 SB115 SB120 SB125 SB125Pro SB130 SB135 SB150 SB155 SB160 SB165 SB1100 SB1105